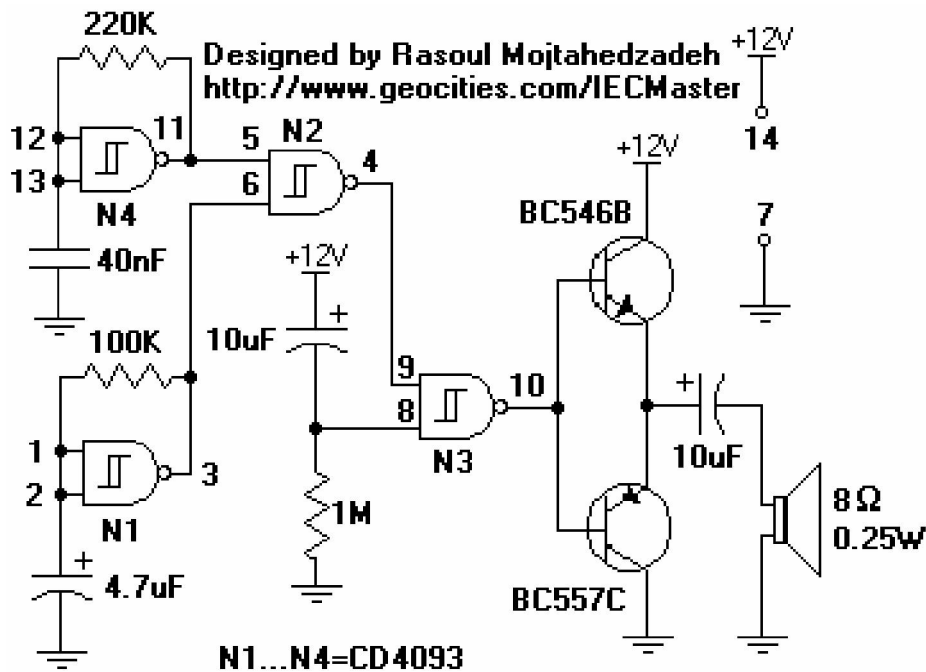


Simple Alarm Generator with timer



To confirm about the events, hear an alarm is useful way. The simple alarm generator with timer presented here is proper to use in car for doors open alarm, rear gear alarm, etc.

The N4 is a basic AF oscillator, The N1 is a low frequency oscillator to do tremolo of the N4 output. Output of the N1 and N4 is mixed by the N2. Timer is formed by the N3, 1Meg resistor and 10uF capacitor. The timing value is about 30 second. The BC557C and BC546B are complementary transistors are used to form power amplifier to drive the 8 ohms, 0.25W speaker.

Ni-Cd Battery Automatic Charger

To use portable devices such as digital camera, wireless headphone, pocket radio, etc, which they operates with two "AAA" size batteries, using rechargeable Ni-Cd batteries is a conscionable way to reduce cost.