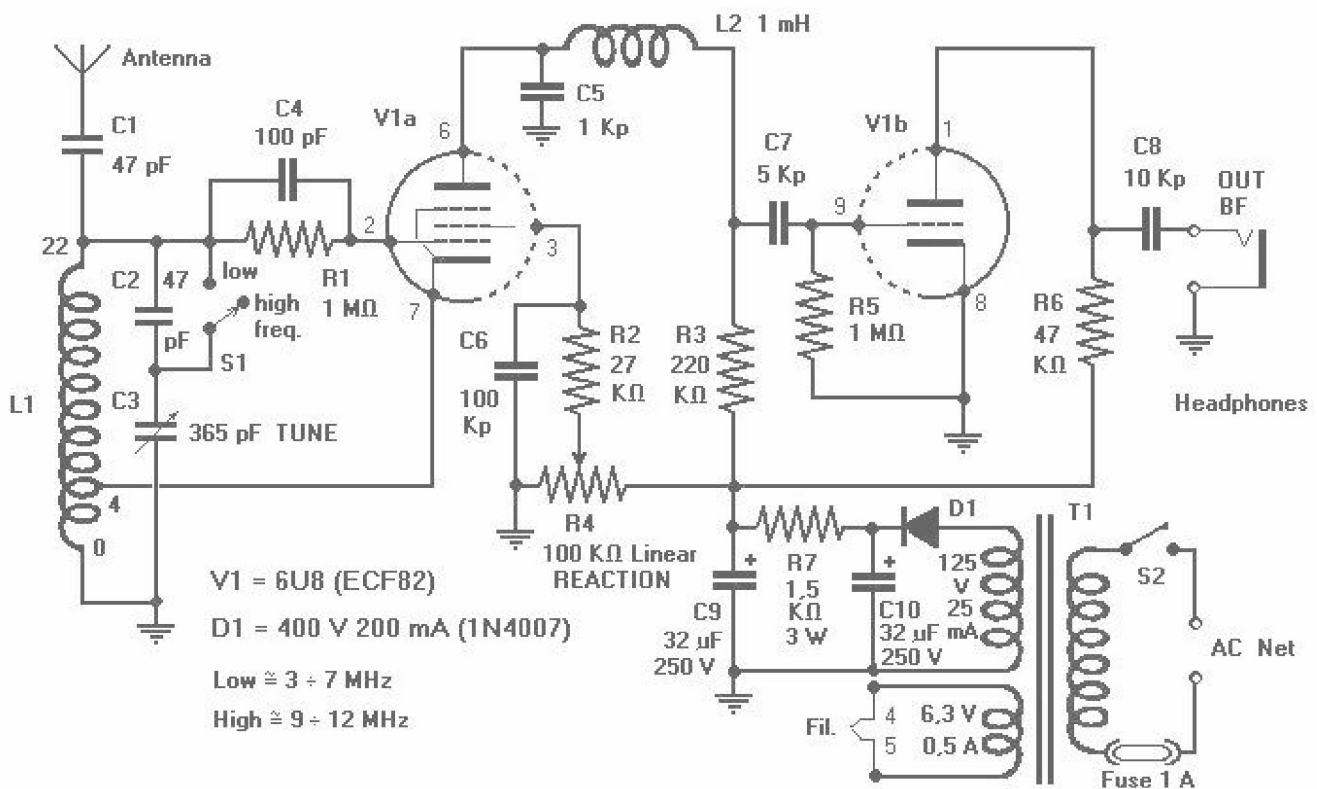


Kortegolf ontvanger 3 – 12 Mhz



RX 6U8 - L1 Coil. by IK3HIA - 2002

About the 6U8 regenerative receiver coil, L1 is made with enameled copper wire (0.8 mm / AWG 20) wind up a 25 mm diameter (0.98 inches) plastic tube, there are 21 coils with a point at the 4th coil from the ground side. The winding is spaced so the total length is 30 mm (1.18 inches). To ensure the winding at the tube, the begin and the end of the wire cross through a pair of little holes make by a 1 mm drill point. See the picture for best explanation, and use any kind of glue to secure the coils immobility.

That is all, the receiver is easy to do, and a lot of ham people has realized a copy. Don't expect to surpass a superheterodyne with triple conversion...but the receiver do his job with honor.

